



ArcelorMittal

# Long Carbon Europe



# Our Group

ArcelorMittal is the world's leading steel company, with operations in more than 60 countries. With an industrial presence in over 20 countries spanning four continents, the Company covers all of the key steel markets.

ArcelorMittal is the leader in all major global steel markets, including automotive, construction, household appliances and packaging, with leading R&D and technology, as well as sizeable captive supplies of raw materials and outstanding distribution networks.

In 2008, ArcelorMittal had revenues of \$124.9 billion and crude steel production of 103.3 million tons, representing approximately 10 per cent of world steel output.

## Long Carbon Europe

Long Carbon Europe is ArcelorMittal's business unit producing long products at 24 plants in 10 countries in Europe and North Africa.

In 2008, Long Carbon Europe had a production of 15 million tons commercialized by its 3 commercial entities:

- Sections
- Rails, Piles and Special Sections
- Bars & Rods

## Our Values

Through its core values of Sustainability, Quality and Leadership, ArcelorMittal commits to operating in a responsible way with respect to the health, safety and wellbeing of its employees, contractors and the communities in which it operates.

It is also committed to the sustainable management of the environment and of finite resources.



# > Mills Locations



	Sections		Sheet Piles		Rebars
	Merchant Bars		Rails		Wire Rod
	Semis		Special Sections		SBQ

# > Sections and Merchant Bars

ArcelorMittal Commercial Sections is the sales and marketing company for **sections and merchant bars** produced by ArcelorMittal in Europe.

ArcelorMittal is the world's largest manufacturer of structural shapes with 11 production sites in Europe and offers the widest range of sizes and grades.

Sections and Merchant Bars are used worldwide for the construction of industrial structures, buildings and bridges. Common applications are office buildings, industrial halls, power plants, offshore platforms, stadiums, airports, machinery, pylons or structural frames for any other purpose.

Jumbo sized shapes weighing over 1000 kg/m and very high strength steel grades - Histar 460 - are favored to increase the cost-efficiency of structural frames.

Technical assistance and user-friendly software are freely available to all stakeholders in support to the quest in designing economic, safe and sustainable projects. In addition a complete range of beam finishing operations is available to improve the technical capabilities of our partners: steel fabricators and general contractors.



## Structural solutions

Cellular Beams



Steel - Concrete Composite Column



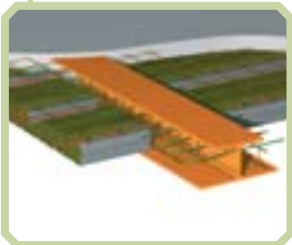
Angelina™ Beam



Steel - Concrete Composite Floor Beam



Slim-Floor Beam



PreCoBeam



## Applications

Buildings



© Chuck Char - Architect: Foster & Partner - Hearst Tower, NYC

Industrial Halls



Parkings



Bridges



Power Plants



# > Rails, Piles & Special Sections

ArcelorMittal Commercial RPS is a leader company in the **railway, sheet piles** and **special sections products**.

## Steel Foundation Solutions for Projects

Commercial RPS is the world's largest producer of steel sheet piles. We offer comprehensive services throughout the world with customised support to all involved in the design, specification and installation of sheet and bearing piles, e.g. consulting engineers, architects, regional authorities, contractors, academics and their students.

Steel sheet piles and bearing piles are used worldwide for the construction of quays and harbours, locks and breakwaters, and for bank reinforcement on rivers and canals. Other applications are the protection of excavations on land and in water and excavation works for bridge abutments, retaining walls, foundation structures, etc.



## Rails

ArcelorMittal, a leader in rail production with sites in Rodange (Luxembourg), Gijón (Spain), Ostrava (Czech Republic) Dabrowa and Krowleska (Poland) and Steelton (USA), combines long experience with a high technological level. These factors allow us to supply a rail of excellent quality, capable of meeting the present and future needs of the most demanding users.



We hold a leading position in the specialized rail high speed sector, as well as in heavy transport, public and urban transport, mixed traffic, light railways, switches, tram traffic and crane rails.

## Special Sections

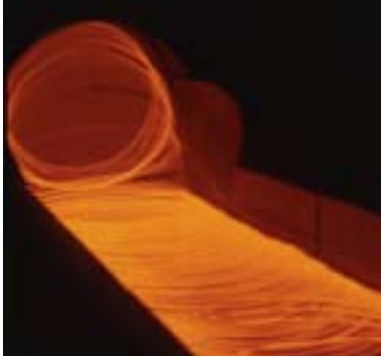
Commercial RPS is a major player in the construction equipment industry by supplying a comprehensive range of single, double, and triple grouser track shoe profiles to its costumers located anywhere in the world.

Mine support sections have a wide range of use in building of long coal and ore shaft workings and in driving of tunnels and galleries. The high technical standard of the produced steel supports ensures to ArcelorMittal a significant place among leading world industrial producers.

We are available for further more detail information about other Special Sections : Railway accessories (ribbed baseplates, tie plates, metro guide bars, clamps, fishplates, frog profiles) and other special sections (Cathode Collector Bars and special car building sections).

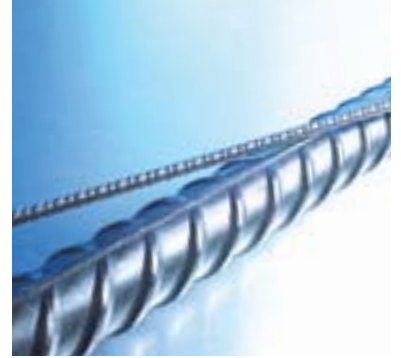


# > Bars and Rods



ArcelorMittal Commercial Bars and Rods is the sales and marketing company for **wire rod, bars SBQ, rebars and semis** produced by ArcelorMittal in Europe.

With 14 production sites in Europe, ArcelorMittal offers an unique ability to deliver the most complete range of sizes and grades in bars and wire rod products to satisfy the requirements of the market.



## Final Applications Bars and Rods

Cold Heading:  
Bolts and Nuts ...



Alloyed Spring



Suspension Bridge Cables

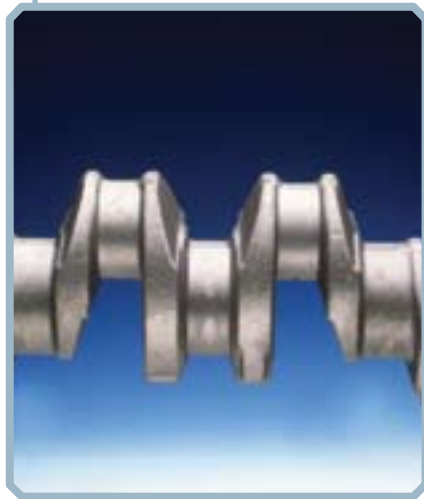


Freecutting



## Final Applications Forging

Crankshaft



Connecting Rod



## Rebars

Tie Bars



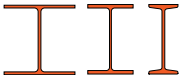

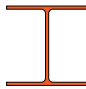

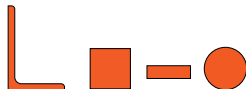
Rock Bolts












Krybar™

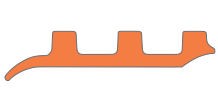


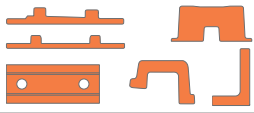




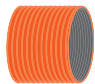
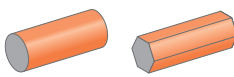
# > Product Summary

Sections and Merchant Bars				
Sections				Merchant Bars
Beams	Columns	Bearing Piles	Channels	
				
<ul style="list-style-type: none"> <li>HE 100 - 1100</li> <li>HL 920 - 1100</li> <li>IPE 80 - 750</li> <li>UB 127x76 - 1016x305</li> <li>W 6x4 - 44x16</li> <li>GOST 10B1 - 50B2</li> <li>JIS 150x75 - 900x300</li> <li>IPN 80 - 600</li> <li>J 40 - 65</li> <li>S 3x5.7 - 24x121</li> </ul>	<ul style="list-style-type: none"> <li>HD 260 - 400</li> <li>UC 152x152 - 356x406</li> <li>W 4x4 .. 14x16</li> <li>GOST 20K1 - 40K5</li> <li>JIS 100x100 - 400x400</li> </ul>	<ul style="list-style-type: none"> <li>HP 200 - 400</li> <li>UBP203x203-356x368</li> <li>HP 8x29 - 14x117</li> <li>JIS200x200-400x400</li> </ul>	<ul style="list-style-type: none"> <li>UPE 80 - 400</li> <li>PFC 100x50 - 380x100</li> <li>UPN 50 - 400</li> <li>U 40 - 65</li> <li>CH 76x38 - 381x102</li> <li>C 3x4.1 - 15x50</li> <li>MC 6x12 - 18x58</li> <li>GOST 8Y - 20Y</li> </ul>	<ul style="list-style-type: none"> <li>L 20x20 - 300x300</li> <li>L 100x65 - 200x100</li> <li>L 2x2 - 12x12</li> <li>FL 20 - 200</li> <li>SQ 30x30 - 160x160</li> <li>R 10 - 110</li> </ul>

Sheet Piles			
Z-Section	U-Section	Combi-wall HZM/AZ	Flat Sheet Pile AS500
			
AZ 12-770 - AZ 40-700N AZ 12 - AZ 50	AU 14 - AU 26 PU 12 - PU 32 PU 6R - PU 15R GU 6N - GU18-400	HZ 880M HZ 1080M HZ 1180M	AS500 9.5-12.7 I.S. max = 6000 kN/m

Transport Rails and Rails for Crossovers			Crane Rails	
Vignole Type	Groove Type & U-Type	Rails for Crossovers	Normal Sizes	Special Sizes
				
EN 13674-1, EN 13674-2, DBS 918 254-1, AS 1085. 1, BS 11, GOST P51685, AREMA, NF A 45-310	EN 14811, PT-W-411/1a/98	ILK4-4510/02/08, EN 13674-2, EN 13674-3	DIN 536, ASTM, MRS, AS, CR	GCRD, GCR

Special Sections				
Track Shoes	Mining	Mining Accessories	Rail Accessories	Other Special Sections
	Support Sections (K&TH)			
				
TS1-31 - TS1-73, TS2-49 - TS2-104, TS3-27 - TS3-60, MR 0 - MR 6	TH 16.5 - TH 44, P 28, SV 29, K 21 - K 44, V 25 - V 36	GTHN 29, J21 - J36, A 36 CLAMP, E 74 V.S	Ribbed baseplates, Tie plates (standard-inclined), Tie plates type PANDROL, Metro guide bar 150 X 100 X 25 Clamps, Fishplates, T Rails, Frog profile	Special car building sections, Hot rolled cathode collector bars

Bars and Rods			
Rebars	Wire Rod	SBQ	Semis
			
Bars : ø 8 - 63.5 mm, Coils : ø 6 - 20 mm	ø 5.5 - 52 mm Mesh, Low and High carbon steels, Cold heading, Welding, Free-cutting, Spring, Steel cord, Bearing	Round : ø 15 - 170 mm Hexagon : ø 27 - 52.5 mm	Rolled billets : ø 120   42-60 - 200x200 Continuously cast billets : ø 160 and 210   105x105 - 220x130 Blooms : 190x220 - 280x400

## > Contact Details



### **ArcelorMittal Long Carbon Europe**

ArcelorMittal Office Building

66, rue de Luxembourg  
L-4221 Esch-sur-Alzette  
G.D. of Luxembourg

### **ArcelorMittal Commercial Sections**

T. + 352 5313 3009

F. + 352 5313 3089

[sections.sales@arcelormittal.com](mailto:sections.sales@arcelormittal.com)

[www.arcelormittal.com/sections](http://www.arcelormittal.com/sections)

### **ArcelorMittal Commercial Rails, Piles & Special Sections**

T. +352 5313 3005

F. +352 5313 3099

[sales.rps@arcelormittal.com](mailto:sales.rps@arcelormittal.com)

[www.arcelormittal.com/sheetpiling](http://www.arcelormittal.com/sheetpiling)

### **ArcelorMittal Commercial Bars and Rods**

T. +352 5313 3459

F. +352 5313 3023

[barsandrods@arcelormittal.com](mailto:barsandrods@arcelormittal.com)